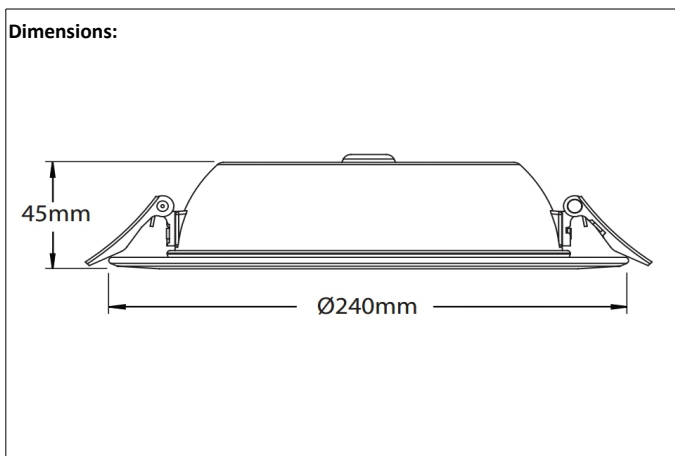




TLSD8 LED downlight IP44 (Samsung)

TLSD8 LED downlight is an effective way to illuminate the interior. The housing is very thin, so it can be installed almost anywhere where we have a suspended ceiling. Modern LEDs allow to obtain a high light efficiency, while low power consumption.

Constant current LED driver is not included as a set with a lamp – it's necessary to buy it separately.



SAMSUNG

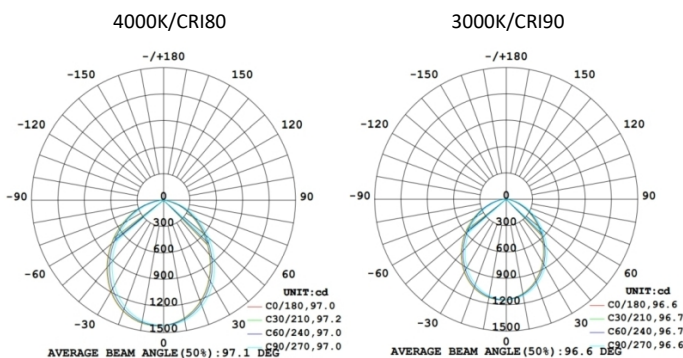
Code:	CCT/CRI:	Power:	Φ Fixture:
43-30-101	4000K/80	30W	3400lm
43-30-201	3000K/90	30W	2700lm
43-24-101	4000K/80	23W	2600lm
43-24-201	3000K/90	23W	2070lm
43-18-101	4000K/80	17W	1920lm
43-18-201	3000K/90	17W	1530lm
43-13-101	4000K/80	12W	1355lm
43-13-201	3000K/90	12W	1080lm

Parameters:
 power: from 12W to 30W
 voltage: up to 900mA (31V)
 beam angle: 100°
 light source: LED Samsung LM281B+
 efficiency: up to 113lm/W
 SDCM: 3
 lifespan L80/B50/C10: 30.000 hours (according to IEC 62717 norm)
 operating temperature range: from 0°C to +30°C
 CRI: CRI80 (4000K), or CRI90 (3000K)
 IP rate: IP44

Dimensions:
 diameter: 240mm
 height: 45mm
 cut hole: 200mm

Material:
 aluminium housing + PCV
 weight: 0,80kg

Additional accessories:
 round ceiling base
 code: 43-32-998
 diameter: 280mm
 height: 80mm
 weight: 1,20kg



photometric data presented with a tolerance +/- 7%

