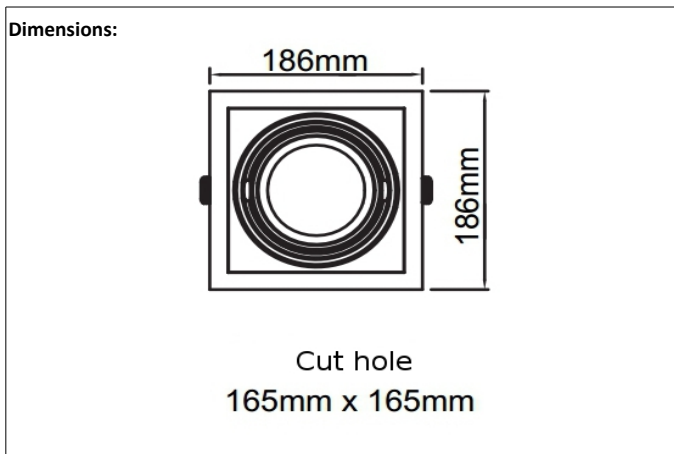




# Modular LED Downlight 28W (Samsung)

28W Modular LED downlight is an extremely efficient multi-functional lighting system and an excellent replacement sources MH 30W. Replaces traditional incandescent and halogen lamps up to 150W. The 28W lamp has a brightness control functions using an external power supply (optional). The product is also characterized by a unique design, designed according to the latest trends. The module can be used in shopping malls, showrooms, libraries, etc. A wide range of angles of illumination meet all the expectations of the designers on lighting solutions.



**SAMSUNG TRIDONIC**

Code*:	CCT/CRI:	Φ Fixture/LED:	Housing:
534-140-7x910S	4000K/90	2490/3555lm	white
534-940-7x910S	4000K/90	2490/3555lm	black
534-135-7x910S	3500K/90	2435/3485lm	white
534-935-7x910S	3500K/90	2435/3485lm	black
534-130-7x910S	3000K/90	2365/3385lm	white
534-930-7x910S	3000K/90	2365/3385lm	black

\*x (beam angle) 1-15°, 2-24°, 3-36°, 4-45° (eg. 534-140-74910S = 45°)

**Additional picture:**



**Parameters:**  
 power factor (PF): >0,95  
 power LED/fixture: 25W/28W  
 voltage: 230V AC (via 700mA driver)  
 beam angle: 15°, 24°, 36° or 45°  
 light source: COB LED Samsung  
 lifespan L80/B50/C10: 40.000 hours (according to IEC 62717 norm)  
 IP: IP20

**Dimensions:**  
 length: 186mm  
 width: 186mm  
 height: 80mm  
 cut hole: 165x165mm

**Material:**  
 aluminium housing + PCV

photometric data presented with a tolerance +/- 5%

