

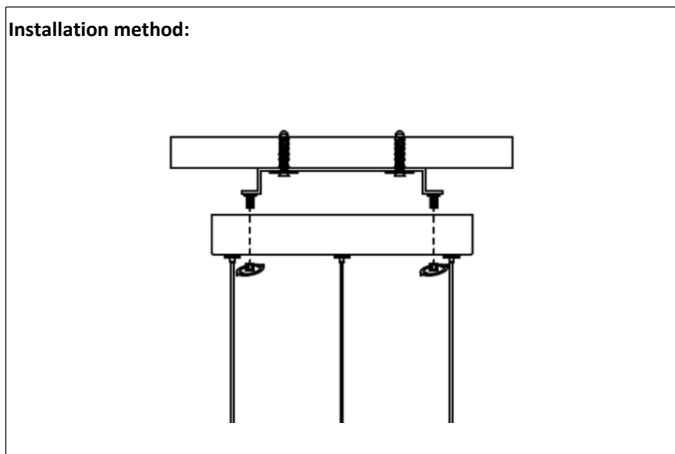


# Round LED Panel 700mm

Suspended LED panel luminaire in a round version with a diameter of 700mm. The luminaire is characterized by a low glare, very high efficiency, and uniformity of lighting. CCT: 3500K (+/- 250K) with a color rendering index of CRI > 90.

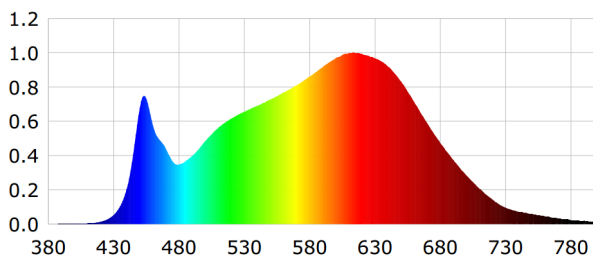


**OSRAM**



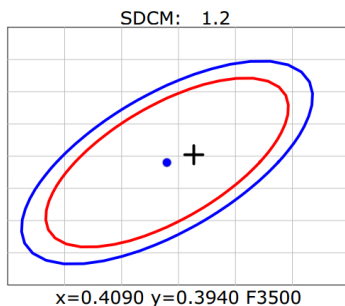
Code*:	CCT/CRI:	Power:	Φ Fixture:
39-83-211	3500K/90	47W	3910lm
39-83-311	3500K/90	52W	4275lm

**Parameters:**  
 power factor (PF): >0,90  
 power: 52W, or 47W  
 voltage: 220-240V AC (via external Osram LED driver)  
 beam angle: 140°  
 light source: 2835 SMD LED chips  
 efficiency: up to 83lm/W  
 SDCM: ≤3  
 lifespan L80/B50/C10: 40.000 hours (according to IEC 62717 norm)  
 operating temperature range: from 0°C to +40°C  
 CRI: CRI>90  
 IP rate: IP20



**Dimensions:**  
 diameter: 700mm  
 height: 20mm  
 suspension length: 2000mm

**Material:**  
 aluminium body (white, RAL9016)  
 PC diffuser  
 weight: 4,90kg



photometric data presented with a tolerance +/- 7%

