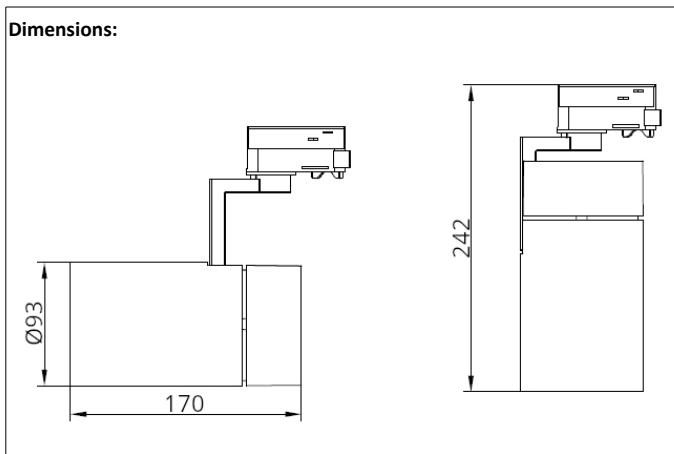




LED Track Light L15 30W (Samsung)

L15 LED luminaire is an option for customers who are looking for alternatives of 70W metal halide luminaires mounted on the 3-phase lighting tracks. The solution is a functional replacement which delivers the equivalent amount of light at a significantly reduced demand for electricity. Heart of the fixture, is the LED COB module made by Korean company – Samsung.

Fixture is available in many variants - resulting from a combination of parameters.



SAMSUNG TRIDONIC

Code*	CCT/CRI:	Φ Fixture/LED:	Housing:
524-140-8x910S	4000K/90	3055/4065lm	white
524-940-8x910S	4000K/90	3055/4065lm	black
524-135-8x910S	3500K/90	2995/3985lm	white
524-935-8x910S	3500K/90	2995/3985lm	black
524-130-8x910S	3000K/90	2910/3870lm	white
524-930-8x910S	3000K/90	2910/3870lm	black

***x (beam angle)**

1-15°, 2-25°, 3-35°, 6-60° (eg. 524-140-83910S = 35°)

Parameters:
power factor (PF): >0,95
power LED/fixture: 27W/30W
voltage: 230V AC (via 3-phase track)
beam angle: 15°, 25°, 35° or 60°
light source: COB LED Samsung (LC026D2)
lifespan L80/B10/C10: 40.000 hours (according to IEC 62717 norm)
CRI: CRI90(R9>50)
compatible with track lights: GLOBAL trac, Unipro, etc.

Dimensions:
diameter: 93mm
length: 170mm
height: 242mm

Material:
aluminium housing + PCV

