

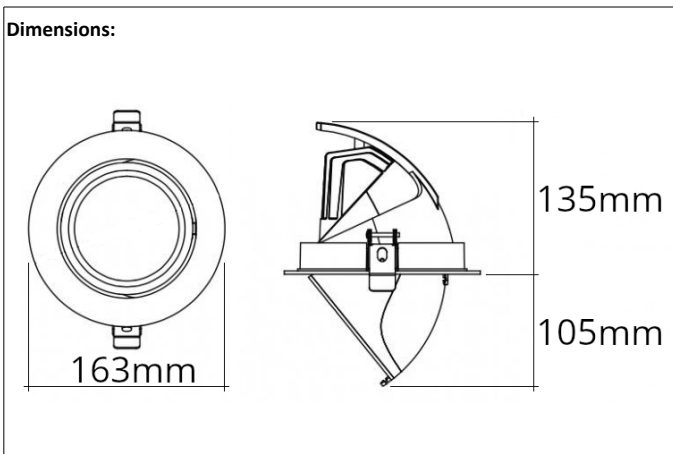


LED Pull Out L Downlight 30W (Samsung)

30W LED Pull Out L Downlight is an option for customers who are looking for alternatives of metal halide luminaires used in commercial buildings, or backlight exposure. The solution is a functional replacement that delivers the equivalent amount of light at a significantly reduced demand for electricity. Heart of the fixture, is the LED COB module made by Samsung.

Fixture is available in many variants - resulting from a combination of parameters.

For an additional fee, there are special masks, for the installation of the luminaires in places where there are already prepared holes of larger diameter. This facilitates significantly replacing lamps.



SAMSUNG TRIDONIC

Code*:	CCT/CRI:	Φ Fixture:	Housing:
625-140-8x930S	4000K/90	3465lm	white
625-940-8x930S	4000K/90	3465lm	black
625-135-8x930S	3500K/90	3395lm	white
625-935-8x930S	3500K/90	3395lm	black
625-130-8x930S	3000K/90	3300lm	white
625-930-8x930S	3000K/90	3300lm	black

*x (beam angle)
1-15°, 2-24°, 3-36°, 6 -60° (e.g. 625-140-83830S = 36°)

Additional picture:



Parameters:
 power factor (PF): >0,95
 power: 30W
 voltage: 230V AC (via external LED driver)
 beam angle: 15°, 24°, 36°, 60°
 light source: COB LED Samsung (LC026)
 efficiency: up to 115lm/W
 SDCM: 2
 lifespan L80/B50/C10: 40.000 hours (according to IEC 62717 norm)
 operating temperature range: from 0°C to +30°C
 CRI: CRI90
 IP rate: IP20

Dimensions:
 cut hole: fi 145mm
 diameter: fi 163mm
 internal height: 135mm (when tilt = 0°)
 external height: 105mm (when tilt = 45°)
 max. tilt: 45°
 max. rotation: 355°

Material:
 aluminium housing + PCV
 weight: 0,75kg

photometric data presented with a tolerance +/- 7%

