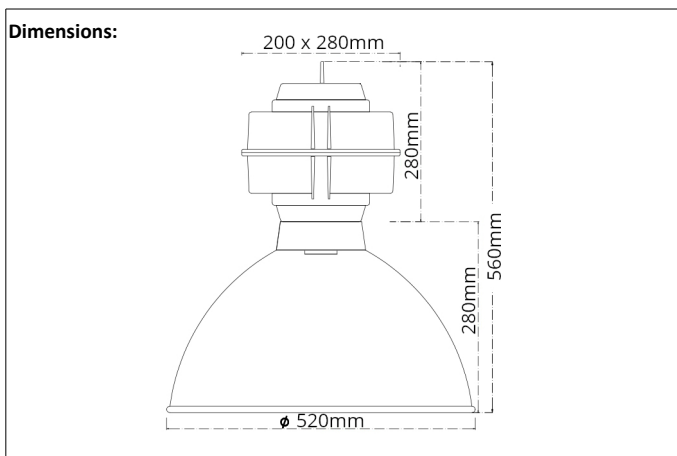




High Bay LED Lof-t mk2 COB 30W (Samsung)

High Bay LED Lof-t mk2 lamp with integrated Samsung LED COB chip.



SAMSUNG TRIDONIC

Code:

558-940-80940S
558-935-80940S
558-930-80940S

CCT/CRI:

4000K/90
3500K/90
3000K/90

Φ LED:

3265lm
3200lm
3105lm

Parameters:

power factor (PF): >0,95
power: 30W
voltage: 230V AC
beam angle: 120°
light source: COB LED Samsung (LC026)
efficiency: up to 108lm/W
SDCM: 2
lifespan L80/B50/C10: 40.000 hours (according to IEC 62717 norm)
operating temperature range: from 0°C to +30°C
CRI: CRI90
IP rate: IP20

Detail pictures:



Dimensions:

diameter: 520mm
total height: 560mm
suspension length (chain): 1000mm

Cable rosette dimensions:

diameter: 200mm
height: 25mm

Cable rosette installation method:

surface, supply cable entry - from above

Material:

aluminium housing + PCV

photometric data presented with a tolerance +/- 7%

