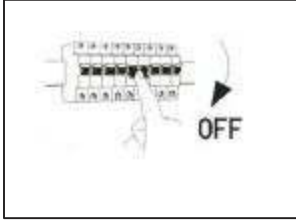


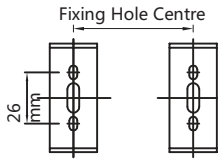
LMH Manual Instruction



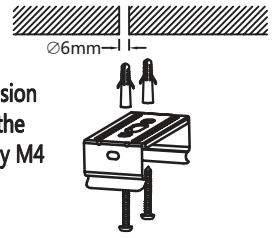
A : Turn off the switch.

B ① Drill $\varnothing 6\text{mm}$ holes according to below drawing.

Model	Power	Fixing Hole Centre
LMH12-600	12W	330mm
LMH24-600	24W	
LMH24-1160	24W	
LMH36-1160	36W	770mm
LMH48-1160	48W	
LMH34-1560	34W	
LMH54-1560	54W	1100mm
LMH70-1560	70W	



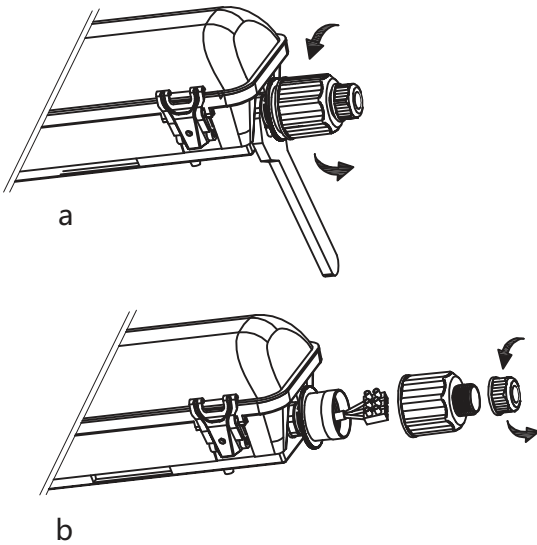
② Insert $\varnothing 6\text{mm}$ expansion pipe in the wall, fix the mounting bracket by M4 screw.



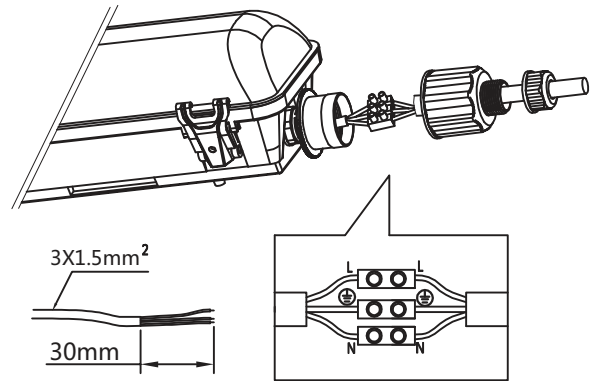
Safety Notice:

1. Electrical installation should be done by registered electrician only
2. Disconnect the luminaire from supply and wait until luminaire is cooled down, before replacement of the driver
3. Never touch the lamp while luminaire is switched on
4. In any case of malfunction disconnect luminaire from supply immediately, don't try to repair the luminaire yourself, repair should only be done by official service agent.

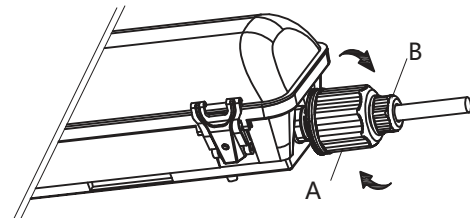
C Open the big cable gland as below.



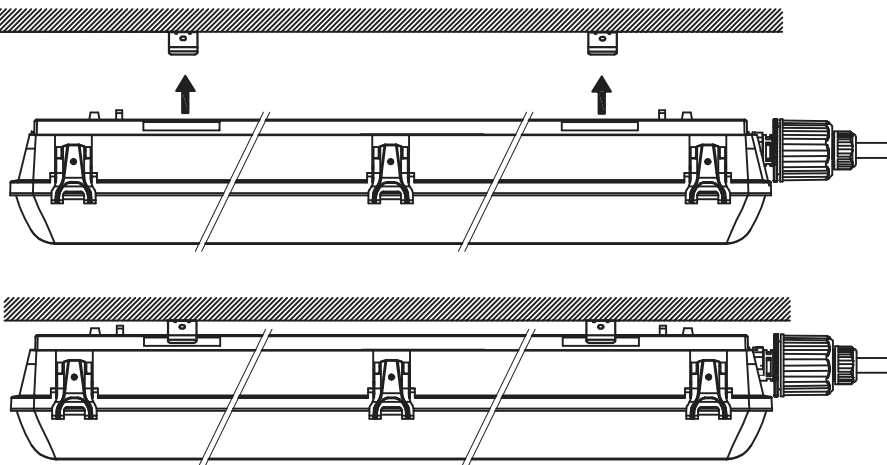
D ① Put cable through the big cable gland, and connect cable with terminal block L to L, \oplus to \oplus , N to N, as below



② Tightening A part of big cable gland, then B part.



F ① Fix the lamp on the wall.



G : Turn on the switch.